

# ShinSungLux product

---

■ Hand Technology ■ Head Technology ■ Heart Technology



## ***Product Instroduction.***

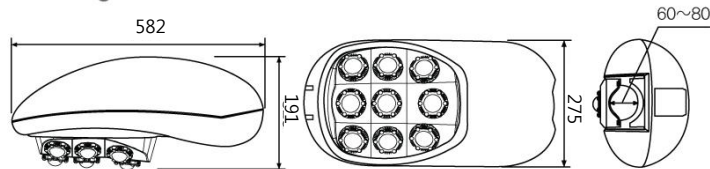


● **CONTENTS** SE-STA30W/60W Spec.



•Public Procurement Service Total Shopping mall enrollment product

Drawing




Content	Specification	Specification
Model name	<b>SE-STA30</b>	<b>SE-STA60</b>
Quality of material	Aluminium Alloy	Aluminum Alloy
Color temperature	Cool White(6,530k)	Cool White(6,530k)
Lumen	2200lm	4000lm
View angle	120°	120°
Outer dimension	L582xW275xH191mm	L582xW275xH191mm
LED Chip	OSRAM	OSRAM
Voltage	AC100~240V 50/60Hz	AC100~240V 50/60Hz
Power consumption	30W	60W
Waterproof grade	IP66	IP66
CRI index(RA)	>70	>70
Using temperature	-40~+50°C	-40~+40°C
Weight	15Kg	15Kg
Packing unit	1Set/1Box	1Set/1Box
Use	Street light(Park, Side walk)	Street light(Park, Side walk)

\*\* LED Street light KS(Korean Standard) Certification(LED Street light : More than 70W and under 150W / LED Street light: Under 70W

\*\* Patent product of light application by using light-emitting diode.

\*\* Illumination / Based on IES file.

● **CONTENTS** SE-STA100W/130W/150W Spec.  **Shinsung-Lux Technology**



\*CE Certificate Product

Content	Specification
Model name	<b>SE-STA100</b>
Quality of material	Aluminum Alloy
Color temperature	CW(6,530K)
Lumen	7300lm
View angle	120°
Outer dimension	L715xW360xH320mm
LED Chip	CREE
Voltage	AC100~240V 50/60Hz
Power consumption	100W
Waterproof grade	IP66
CRI index(RA)	>70
Using temperature	-40~+40°C
Weight	15.5Kg
Packing unit	1Set/1Box
USE	Street light (Street light 150~200W replacement)

Specification
<b>SE-STA130</b>
Aluminum Alloy
CW(6,530K)
9500lm
120°
L715xW360xH320mm
CREE
AC100~240V 50/60Hz
120W
IP66
>70
-40~+40°C
15.5Kg
1Set/1Box
Street light (Street light 200~250W replacement)

Specification
<b>SE-STA150</b>
Aluminum Alloy
CW(6,530K)
11000lm
120°
L715xW360xH320mm
CREE
AC100~240V 50/60Hz
150W
IP66
>70
-40~+40°C
15.5Kg
1Set/1Box
Street light (Street light 250~300W replacement)

\*\* LED Street light KS(Korean Standard) Certification(LED Street light : More than 70W and under 150W / LED Street light: Under 70W

\*\* **Patent** product of light application by using light-emitting diode.

\*\* Illumination / Based on IES file.

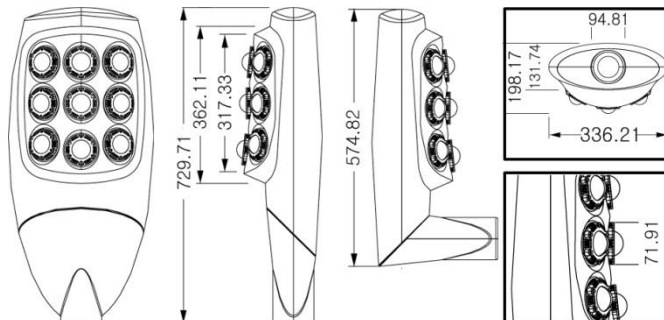
● **CONTENTS** SE-STB90W / STB130W Spec.



\* SE-STB 2010 After revision completion



**Drawing**



Content		Specification	Specification
Model name		<b>SE-STB90</b>	<b>SE-STB130</b>
Quality of material		Aluminum Alloy	Aluminum Alloy
Total Intensity of radiation	CW(6,000K)	6530lm	10200lm
	CW(4,000K)	5500lm	8700lm
	CW(2,400K)	4675lm	7300lm
View angle		140°	140°
Outer dimension		L723xW336xH198mm	L723xW336xH198mm
LED Chip		CREE.OSRAM	CREE.OSRAM
Voltage		AC110V-240V 50/60Hz	AC110V-240V 50/60Hz
Power consumption		90W	130W
Waterproof grade		IP65	IP65
CRI index(RA)		>75	>75
Using temperature		-40~ +50°C	-40~ +50°C
Weight		12 Kg	12 Kg
Packing unit		1Set/1Box	1Set/1Box
Use		Street light (Street light 150W replacement)	Street light (Street light 200~250W replacement)

- \*\* LED Street light KS(Korean Standard) Certification(LED Street light : More than 70W and under 150W / LED Street light: Under 70W
- \*\* Patent product of light application by using light-emitting diode.
- \*\* LED module listening and patent registration product for light application.

● **CONTENTS** SE-VTB Spec.

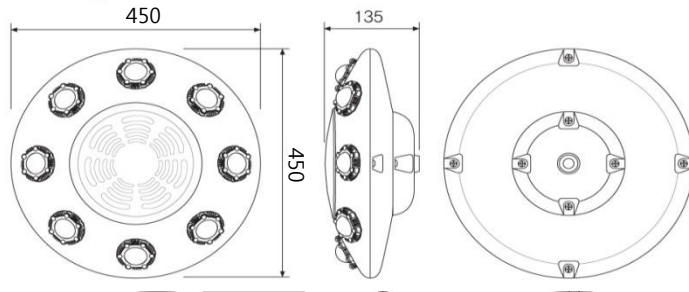
 Utility model patent products

 \*CE Certificate product



\*Procurement Service Total Shopping mall enrollment product

Drawing



Content	Specification	Specification	Specification	Specification
Model name	<b>SE-VTB40</b>	<b>SE-VTB60</b>	<b>SE-VTB80</b>	<b>SE-VTB120</b>
Quality of material	Aluminum Alloy	Aluminum Alloy	Aluminum Alloy	Aluminum Alloy
Color temperature	CW(Cool White@6,000k)	CW(Cool White@6,000k)	Cool White(6,000k)	Cool White(6,000k)
Lumen	2,800lm	3,360lm	6,480lm	7,840lm
View angle	140°	140°	140°	140°
Outer dimension	L450xW450xH135 mm	L450xW450xH135 mm	L450xW450xH135 mm	L450xW450xH135 mm
LED Chip	CREE.OSRAM	CREE.OSRAM	CREE.OSRAM	CREE.OSRAM
Voltage	AC100~240V 50/60Hz	AC100~240V 50/60Hz	AC100~240V 50/60Hz	AC100~240V 50/60Hz
Power consumption	40W	60W	80W	120W
Waterproof grade	IP65	IP65	IP65	IP65
CRI index(RA)	>70	>70	>70	>70
Using temperature	-40~+40°C	-40~+40°C	-40~+40°C	-40~+40°C
Weight	6Kg	6Kg	6Kg	6Kg
Packing unit	1Set/1Box	1Set/1Box	1Set/1Box	1Set/1Box
Use	View light, Street light(Park, Sidewalk)	View light, Street light(Park, Sidewalk)	View light, Street light(Park, Sidewalk)	View light, Street light(Park, Sidewalk)

\*\* LED module listening and patent registration product for light application.

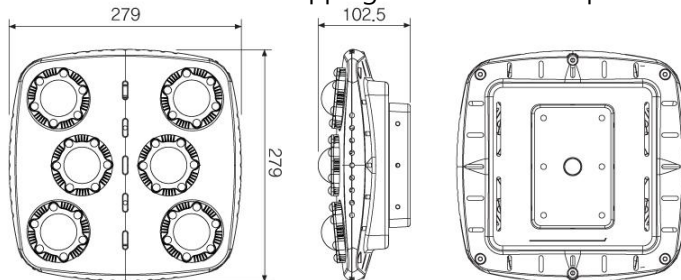
● **CONTENTS** SE-CTA Spec.

 Utility model patent products



Drawing

•Public Procurement Service Total Shopping mall enrollment product



Content	Specification	Specification
Model name	<b>SE-CTA55</b>	<b>SE-CTA90</b>
Quality of material	Aluminum Alloy	Aluminum Alloy
Color temperature	CW(Cool White@6,000k)	CW(Cool White@6,000k)
Lumen	3800lm	7560lm
View angle	100°	100°
Outer dimension	L279xW279xH102.5mm	L279xW279xH102.5mm
LED Chip	CREE.OSRAM	CREE.OSRAM
Voltage	AC100~240V 50/60Hz	AC100~240V 50/60Hz
Power consumption	55W	90W
Waterproof grade	IP65	IP65
CRI index(RA)	>70	>70
Using temperature	-40~+40°C	-40~+40°C
Weight	5.5Kg	5.5Kg
Packing unit	1Set/1Box	1Set/1Box
Use	Ceiling light(Gas station, Warehouse)	Ceiling light(Gas station, Warehouse)

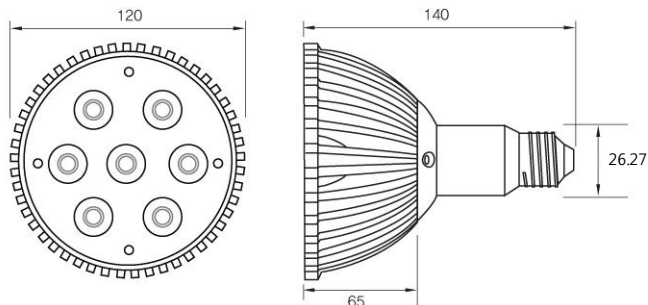
\*\* LED module listening and patent registration product for light application.

● **CONTENTS SE-ST12 Spec.**

**PRODUCT**



**Drawing**



Content	Specification	
Model name	<b>SE-ST12</b>	
Quality of material	Aluminium Alloy	
Color temperature	YW(2,500~3,000K)	CW(6,000~7,000K)
View angle	30°/60°	
Outer dimension	L120xW120xH140mm	
LED Chip	SAMSUNG	
Voltage	AC52~265V	
Power consumption	12W	
CR index (RA)	>75	
Using temperature	-20~+45°C	
Base	E26,27	
Packing unit	1Set/1Box	
Use	Indoor interior light (Halogen light 20W replacement)	

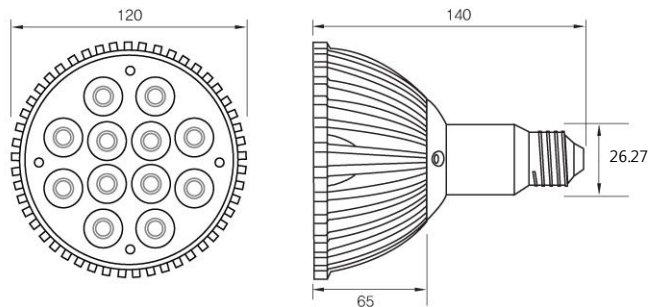
● **CONTENTS SE-ST14 Spec.**

**PRODUCT**



Content	Specification
Model name	<b>SE-ST14</b>
Quality of material	Aluminium Alloy
Color temperature	YW(2,500~3,000K)   CW(6,000~7,000K)
View angle	30°/60°
Outer dimension	L120xW120xH140mm
LED Chip	SAMSUNG
Voltage	AC52~265V
Power consumption	14W
CR Index(RA)	>75
Using temperature	-20~+45°C
Base	E26,27
Packing unit	1Set/1Box
Use	Indoor interior light (Halogen light 20W replacement)

**Drawing**

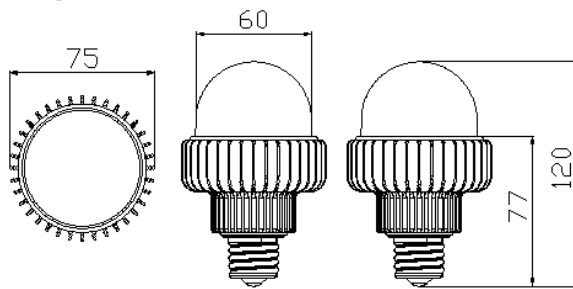


● **CONTENTS SE-D8.5 Spec.**

**PRODUCT**



**Drawing**



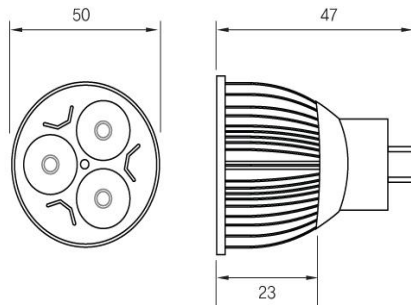
Content	Specification
Model name	<b>SE-D8.5</b>
Quality of material	Aluminium Alloy
Color temperature	CW(6,000~7,000K) / Worm White(3,000K)
Color Rendering Index	> 65
View angle	130°
Outer dimension	L75xW75xH120mm
LED Chip	SAMSUNG
Frequency range	47~63Hz
Voltage	AC190~260V
Power consumption	8.5W
CR index(RA)	> 65
Using temperature	-30~ +60°C
Working life time	50,000hr
Base	E26
Packing unit	1Set/1Box
Use	Indoor interior light (Halogen light 20W replacement)

## ● CONTENTS SE-ML3 Spec.

### PRODUCT



### Drawing



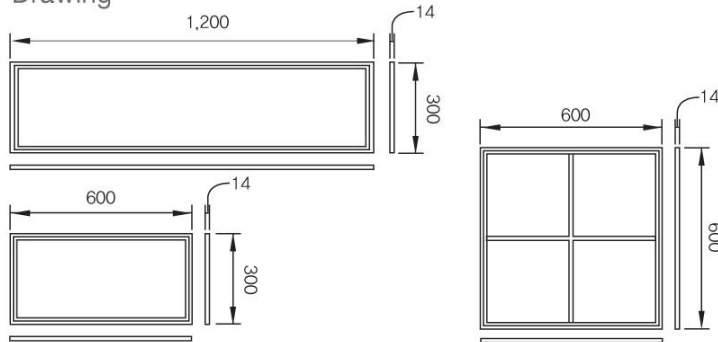
Content	Specification
Model name	<b>SE-ML3</b>
Quality of material	Aluminium Alloy
Color temperature	3,000K/6,000K
View angle	30°/60°
Lumen	130/150lm
Outer dimension	L50xW50xH47mm
LED Chip	SAMSUNG
Voltage	AC/DC12V
Power consumption	3W
CR index(RA)	> 75
Using temperature	-20~ +40°C
Base	GU 5.3
Packing unit	1Set/1Box
Use	Indoor interior light (Halogen light 20W replacement)

# ● CONTENTS SE-Panel type Spec.

PRODUCT



Drawing



Content		Specification					
Model name		<b>RLP06030</b>		<b>RLP12030</b>		<b>RLP06060</b>	
Color temperature		CW 6,500K	WW 3,500K	WW 3,500K	WW 3,500K	WW 3,500K	WW 3,500K
Lumen		1,700	1,500	4,200	3,700	4,200	3,700
Outer dimension	Width	600mm		1,200mm		600mm	
	Length	300mm		300mm		600mm	
	Height	60mm(Main Body:14mm+Including power supply:46mm)					
LED Chip	SAMSUNG						
Voltage	AC 110V/220V Input . DC 12V Output						
Power consumption		23W		56W		56W	
LED Q'ty		144Pcs		288Pcs		288Pcs	
Packing unit	1Set/1Box						
Use	Indoor Ceiling light(Surgery, Recovery room)						

Illumination

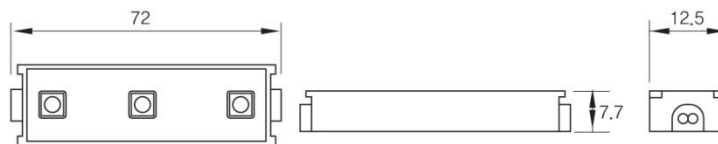
RLLP 12030CW

Height(m)	1	2	3	4	5
Center illumination(lx)	1,380	350	100	75	32

● **CONTENTS SE-3SP3W Spec.**



**Drawing**



Content	Specification
Model name	<b>SE-3SP3W</b>
Quality of material	ABS(Starilen resin) . EPOXY
Color	White color
View angle	120°
Outer dimension	L72xW12.5xH7.7mm
LED Chip	ITSWELL
Current/Voltage	12V/0.45A
Power consumption	0.54~0.6W
Using temperature	-40~+50°C
CRI index(RA)	67~69
Maximum connection Q'ty	Based on 30W 40ea
Packing unit	INBOX 1ea 200ea
Use	Sign illumination, indoor light (Channel sign, Interior)

**Non-polar product :**

It means the status or property of non-polarity  
The product works normally if any frequency flows to both polar

● **CONTENTS** ST-S030/50C Solar street light Spec.



● Picture of replacement with Shinsungtech SE-STA product instead of Paju city hall solar SE-CTA canopy street light.

Content	Specification	Specification
Product Name	<b>Solar street light</b>	<b>Solar street light</b>
Model name	<b>ST-S030C</b>	<b>ST-S050C</b>
Material	Stainless	Stainless
Luminous	Power LED30W	Power LED50W
Light case type	Square type(Lens attachment)	Square type(Lens attachment)
Lamp Q'ty	6EA	6EA
Lamp Power consumption	30W	50W
Using lamp	Power LED	Power LED
Installation type	Tower type angka volt fix	Tower type angka volt fix
Power sort	Battery DC 12V	Battery DC 12V
Battery q'ty	DC12V 200Ah	DC12V 200Ah
Size(Height)	4m	4m
Use	Park, sidewalk	Park, sidewalk

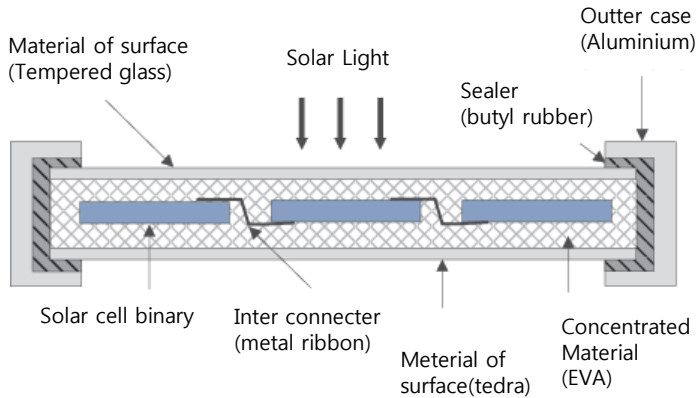
- Solar LED street light is consist of control box, power LED 30W, solar cell plate. It is effect in saving of power consumption, energy with long lifetime, is environment-friendly. In addition, it has a controller for charging power in control box, and it controls light on / off automatically.
- The design of pole and light case type can be changed by customer's request.

● **CONTENTS** ST-S030/50C solar street light Sp  **Shinsung-Lux Technology**

● **Solar cell plate**

As per street light design, it is possible to change the mode(cell) type and design.

Outer dimension(mm)  
Length 1500 X Width 1000 X Height 50

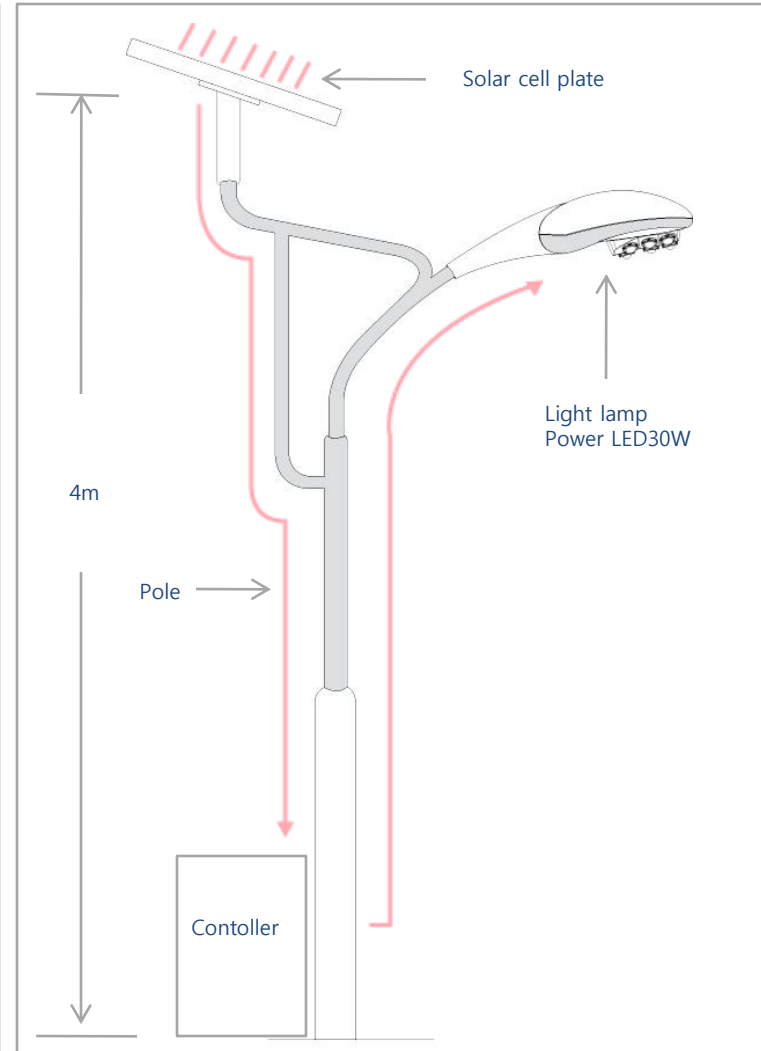


● **Contoller**

It save the unstage power to battery from solar cell plate, prevent over charge and over discharge of battery

● **Battery**

It save power energy(direct current) from the solar cell plate, and supply power energy which is need to operation of exchange current.



● The design of pole and light case type can be changed by customer's request.

## ● Main result

### LED Street light

2006. 8~2008

2008.1

2008. 9

2009. 2

2009. 3/4

● Export to Indonesia(600SET) and obtain order.

● Australia 50W SAMPLE TEST finished, U.S.A. Florida SAMPLE TEST finished  
Kumi-Si sample test finished.

● Chunnam Gwangyang steel mill SAMPLE TEST finished / Colombia(latanholdings)Street light

● Chungnam Boryung-Si SAMPLE TESTING(3SET)

● Kyungbuk Pohang-Si SAMPLE TESTING(2SET) / Gyeonggi-Do Paju-Si SAMPLE TESTING(7SET)

### LED View light/Canopy light

2006. 8.~2008

2008. 1~2009

2006. 8~2008

2010. 2

2010. 3~4

2010. 6~7

● View light-Export to Japan(1,000SET)

● Canopy light-Japan Gas station SHELL

● View light-Jeonnam Gwangyang (27SET)

● Gyeonggi-Do Paju-Si Solar Street light installation

● Busan Yeonje-Gu office View light installation / Gyeonggi-Do, Youngin Sujigu(LED Canopy light)

● Gyeonggi-Do, Youngin Sujigu(LED Canopy light) / Gyeong Nam Chang Won Gas station Canopy light

### LED Indoor light

2009. 1

● ENVICO

### LED module for channel sign

2005~2008

● POSCO, OUTBACKSTEAKHOUST, MISOJIUM, PRUJIO, YTN, DONGYANGSTOCK, JIODANO  
SK CONSTRUCTION, CHOHEOUNG BANK, HUMANVILL, WALLMART, ENVICO, CHUNG DO REST  
AREA, 2001 OUTLET, SPORTS SEOUL, LOTTE DEPARTMENT STORE, ETC

2007. 10~2008

● Export to Japan(100,000 SET)



*LED Lighting business*

***Thank you.***

